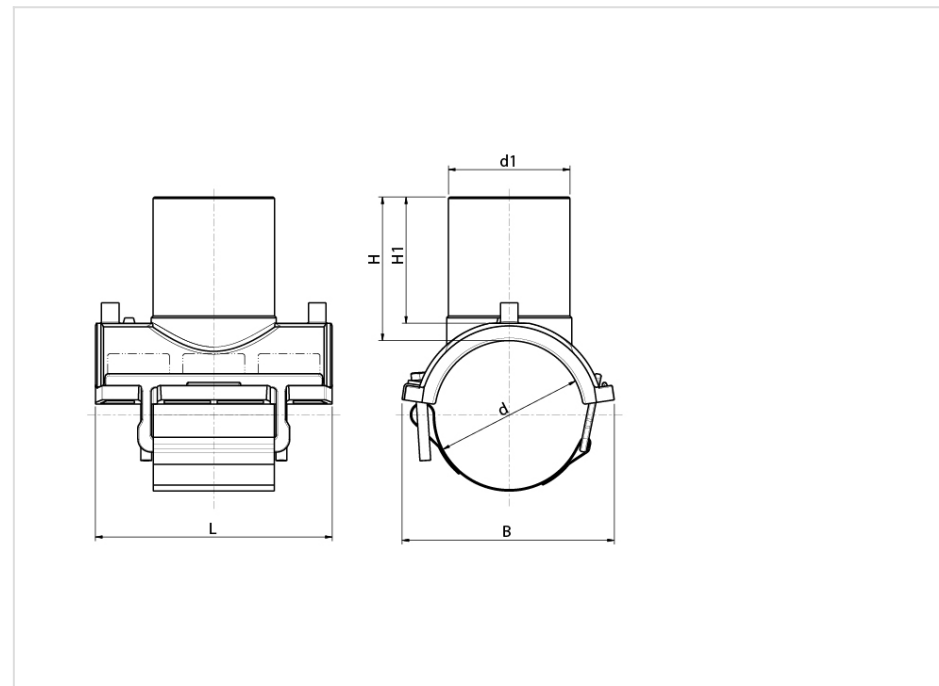


СЕДЕЛОЧНЫЙ ОТВОД С ОТВЕТНОЙ ЧАСТЬЮ - 495804

#495804



Материал корпуса: PE100

Family Products

Product Code	d _{mm}	d _{1mm}	B _{mm}	D _{mm}	H _{1mm}	L _{mm}	LS _{mm}	Номинальное давление газа	Номинальное давление воды	Подходящие трубы	Вес _г	Шт в пакете	Единиц в коробке
495804063032	63	32	100	-	59	118	49	PE100 SDR 11	PN 16	SDR 7 to SDR 11	390	1	56
495804063040	63	40	100	-	78	118	66	PE100 SDR 11	PN 16	SDR 7 to SDR 11	400	1	40
495804063050	63	50	100	-	93	118	82	PE100 SDR 11	PN 16	SDR 7 to SDR 11	430	1	40
495804063063	63	63	100	-	94	118	85	PE100 SDR 11	PN 16	SDR 7 to SDR 11	460	1	40
495804075032	75	32	117	-	59	118	49	PE100 SDR 11	PN 16	SDR 7 to SDR 11	430	1	48
495804075040	75	40	117	-	78	118	66	PE100 SDR 11	PN 16	SDR 7 to SDR 11	450	1	36
495804075050	75	50	117	-	93	118	82	PE100 SDR 11	PN 16	SDR 7 to SDR 11	470	1	32
495804075063	75	63	117	-	94	118	85	PE100 SDR 11	PN 16	SDR 7 to SDR 11	520	1	32
495804090032	90	32	126	-	59	118	49	PE100 SDR 11	PN 16	SDR 7 to SDR 17	520	1	32
495804090040	90	40	126	-	78	118	68	PE100 SDR 11	PN 16	SDR 7 to SDR 17	530	1	32
495804090050	90	50	126	-	93	118	82	PE100 SDR 11	PN 16	SDR 7 to SDR 17	550	1	32
495804090063	90	63	126	-	94	118	85	PE100 SDR 11	PN 16	SDR 7 to SDR 17	610	1	24
495804090090	90	90	139	-	105	176	90	PE100 SDR 11	PN 16	SDR 7 to SDR 17	930	1	15
495804110032	110	32	148	-	59	118	49	PE100 SDR 11	PN 16	SDR 7 to SDR 17	590	1	24
495804110040	110	40	148	-	78	118	68	PE100 SDR 11	PN 16	SDR 7 to SDR 17	600	1	24
495804110050	110	50	148	-	93	118	82	PE100 SDR 11	PN 16	SDR 7 to SDR 17	630	1	20
495804110063	110	63	148	-	94	118	85	PE100 SDR 11	PN 16	SDR 7 to SDR 17	660	1	20
495804110090	110	90	162	-	105	176	90	PE100 SDR 11	PN 16	SDR 7 to SDR 17	950	1	18
495804125050	125	50	162	-	93	118	82	PE100 SDR 11	PN 16	SDR 7 to SDR 17	670	1	20

Product Code	d _{mm}	d _{1mm}	B _{mm}	D _{tmm}	H _{1mm}	L _{mm}	LS _{mm}	Номинальное давление газа	Номинальное давление воды	Подходящие трубы	Вес _г	Шт в пакете	Единиц в коробке
495804125063	125	63	162	-	94	118	85	PE100 SDR 11	PN 16	SDR 7 to SDR 17	700	1	16
495804125090	125	90	169	-	105	176	90	PE100 SDR 11	PN 16	SDR 7 to SDR 17	950	1	18
495804125032	125	32	162	-	59	118	49	PE100 SDR 11	PN 16	SDR 7 to SDR 17	630	1	24
495804125040	125	40	162	-	78	118	68	PE100 SDR 11	PN 16	SDR 7 to SDR 17	640	1	20
495804140032	140	32	180	-	59	118	49	PE100 SDR 11	PN 16	SDR 7 to SDR 17	660	1	24
495804140040	140	40	180	-	78	118	68	PE100 SDR 11	PN 16	SDR 7 to SDR 17	680	1	16
495804140050	140	50	180	-	93	118	82	PE100 SDR 11	PN 16	SDR 7 to SDR 17	710	1	16
495804140063	140	63	180	-	94	118	85	PE100 SDR 11	PN 16	SDR 7 to SDR 17	740	1	16
495804140090	140	90	174	-	105	176	90	PE100 SDR 11	PN 16	SDR 7 to SDR 17	970	1	16
495804160032	160	32	200	-	59	118	49	PE100 SDR 11	PN 16	SDR 7 to SDR 17	740	1	16
495804160040	160	40	200	-	78	118	68	PE100 SDR 11	PN 16	SDR 7 to SDR 17	760	1	16
495804160050	160	50	200	-	93	118	82	PE100 SDR 11	PN 16	SDR 7 to SDR 17	780	1	16
495804160063	160	63	200	-	94	118	85	PE100 SDR 11	PN 16	SDR 7 to SDR 17	800	1	16
495804160090	160	90	176	-	105	176	90	PE100 SDR 11	PN 16	SDR 7 to SDR 17	960	1	16
495804180032	180	32	219	-	59	118	49	PE100 SDR 11	PN 16	SDR 7 to SDR 17	800	1	16
495804180040	180	40	219	-	78	118	68	PE100 SDR 11	PN 16	SDR 7 to SDR 17	800	1	12
495804180050	180	50	219	-	93	118	82	PE100 SDR 11	PN 16	SDR 7 to SDR 17	830	1	12
495804180063	180	63	219	-	94	118	85	PE100 SDR 11	PN 16	SDR 7 to SDR 17	890	1	12
495804180090	180	90	182	-	105	176	90	PE100 SDR 11	PN 16	SDR 7 to SDR 17	960	1	15
495804200063	200	63	202	-	102	176	85	PE100 SDR 11	PN 16	SDR 7 to SDR 17	860	1	15
495804200090	200	90	202	-	105	176	90	PE100 SDR 11	PN 16	SDR 7 to SDR 17	900	1	15

Product Code	d _{mm}	d _{1mm}	B _{mm}	D _{tmm}	H _{1mm}	L _{mm}	LS _{mm}	Номинальное давление газа	Номинальное давление воды	Подходящие трубы	Вес _г	Шт в пакете	Единиц в коробке
495804225063	225	63	227	-	102	176	85	PE100 SDR 11	PN 16	SDR 7 to SDR 17	880	1	15
495804225090	225	90	227	-	105	176	90	PE100 SDR 11	PN 16	SDR 7 to SDR 17	980	1	15
495804250063	250	63	252	-	102	176	85	PE100 SDR 11	PN 16	SDR 7 to SDR 17	970	1	15
495804250090	250	90	252	-	105	176	90	PE100 SDR 11	PN 16	SDR 7 to SDR 17	1070	1	15
495804280090	280	90	282	-	105	176	90	PE100 SDR 11	PN 16	SDR 7 to SDR 17	990	1	10
495804400090T	280-400	90	305	16	115	300	102	PE100 SDR 11	PN 16	SDR 7 to SDR 17	1510	1	7
495804400110T	280-400	110	305	16	117	300	104	PE100 SDR 11	PN 16	SDR 7 to SDR 17	1650	1	7
495804400125T	280-400	125	305	16	110	300	119	PE100 SDR 11	PN 16	SDR 7 to SDR 17	1760	1	6
495804400160T	280-400	160	305	16	132	300	119	PE100 SDR 11	PN 16	SDR 7 to SDR 17	2170	1	6
495804315090	315	90	317	-	105	176	90	PE100 SDR 11	PN 16	SDR 7 to SDR 17	1010	1	15
495804710090T	450-800	90	315	16	117	300	105	PE100 SDR 11	PN 16	SDR 7 to SDR 26	1600	1	7
495804710110T	450-800	110	315	16	117	300	105	PE100 SDR 11	PN 16	SDR 7 to SDR 26	1600	1	7
495804710125T	450-800	125	315	16	117	300	109	PE100 SDR 11	PN 16	SDR 7 to SDR 26	1740	1	7
495804710160T	450-800	160	315	16	130	300	115	PE100 SDR 11	PN 16	SDR 7 to SDR 26	2020	1	6