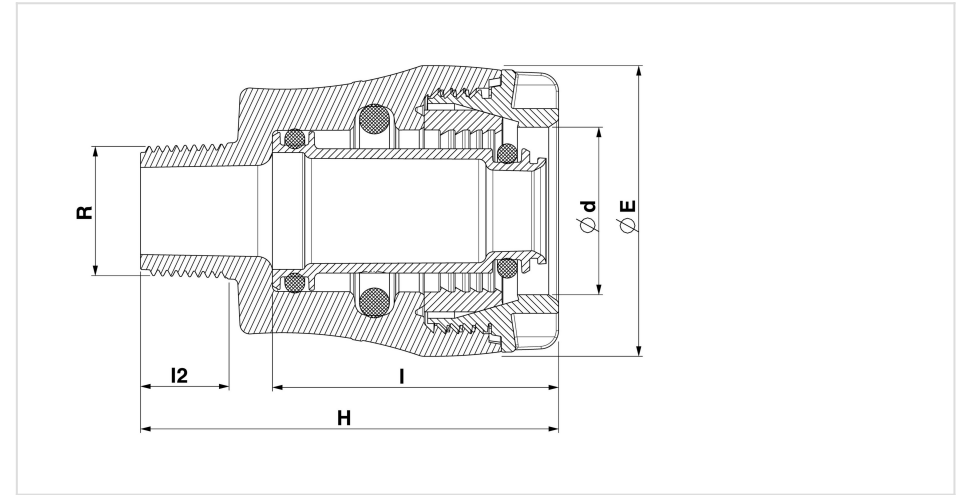


G-PLASS MALE ADAPTOR - 150200

#150200



Body Material: Polypropylene, high-grade copolymer.

Nut Material: Glass Reinforced Polyamide;

Split Ring Material: Polyacetal

Seal Material: NBR

Family Products

Product Code	d _{mm}	R _{inch}	E _{mm}	H _{mm}	I _{mm}	I _{2mm}	Gas Pressure Rating	Weight _g	Unit Per Bag	Unit Per Carton
150200032010	32	1"	58	87	57	19	PE 100 SDR 11	120	1	220
150200040013	40	1 1/4"	70	109	76	21	PE 100 SDR 11	200	1	120
150200050015	50	1 1/2"	85	118	85	21	PE 100 SDR 11	310	1	40
150200063020	63	2"	103	133	97	25	PE 100 SDR 11	500	1	45