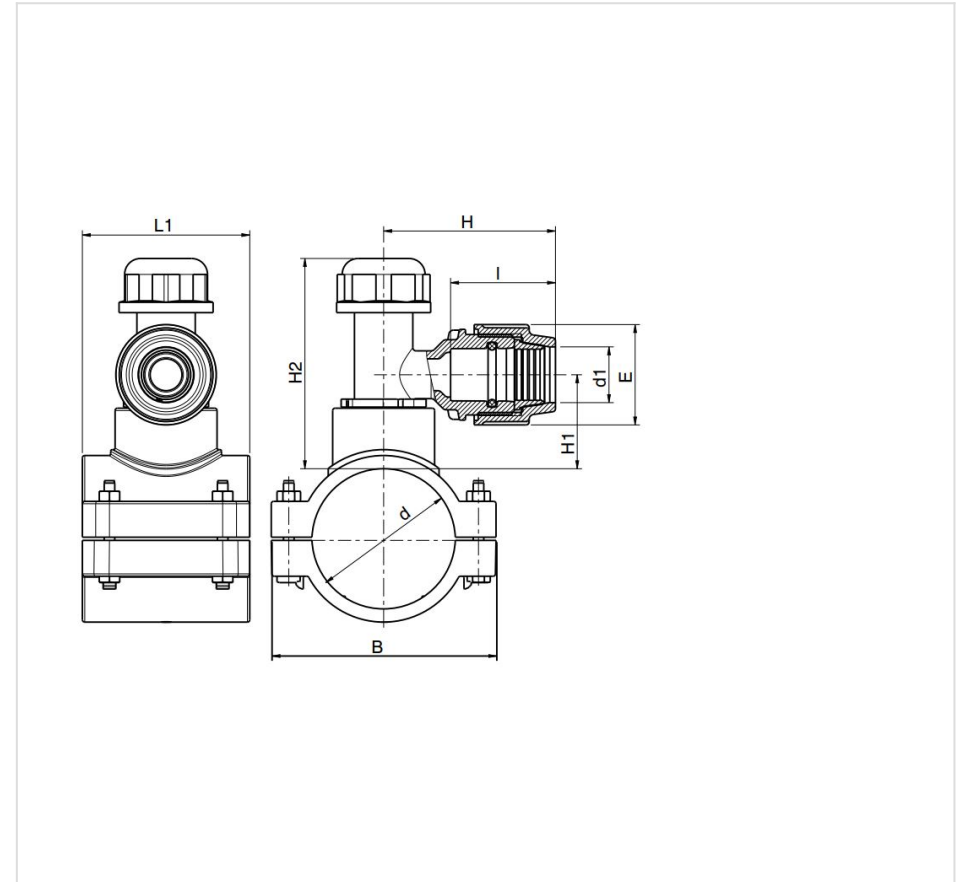


TAPPER FOR PVC & PE PIPES - 165409

#165409



Body Material: Polypropylene, high-grade copolymer.

Nut Material: Polypropylene, high-grade copolymer.;

Split Ring Material: Polyacetal

Seal Material: EPDM

Family Products

Product Code	d _{mm}	d _{1mm}	B _{mm}	E _{mm}	H _{mm}	H _{1mm}	H _{2mm}	I _{mm}	L ₁	Pressure Rating Water	Number of Holes	Weight _g	Unit Per Bag	Unit Per Carton
165409063025	63	25	116	54	106	57	130	57	84	PN 16	4	584	1	40
165409063032	63	32	116	64	111	57	130	66	84	PN 16	4	630	1	40
165409075025	75	25	122	54	106	57	130	57	98	PN 16	4	700	1	30
165409075032	75	32	122	64	111	57	130	66	98	PN 16	4	750	1	30
165409090025	90	25	141	54	106	58	131	57	105	PN 16	4	761	1	25
165409090032	90	32	141	64	111	58	131	66	105	PN 16	4	780	1	25
165409110025	110	25	165	54	106	59	132	57	116	PN 16	4	875	1	20
165409110032	110	32	165	64	111	59	132	66	116	PN 16	4	915	1	20
165409122025	122	25	184	54	106	58	131	57	124	PN 16	6	1069	1	16
165409122032	122	32	184	64	111	58	131	66	124	PN 16	6	1110	1	16
165409125025	125	25	184	54	106	58	131	57	124	PN 16	6	1080	1	16
165409125032	125	32	184	64	111	58	131	66	124	PN 16	6	1110	1	16
165409140025	140	25	201	54	106	59	132	57	136	PN 16	6	1228	1	14
165409140032	140	32	201	64	111	59	132	66	136	PN 16	6	1250	1	14
165409160025	160	25	223	54	106	59	132	57	145	PN 16	6	1370	1	10
165409160032	160	32	223	64	111	59	132	66	145	PN 16	6	1400	1	10

Product Code	d_{mm}	d_{1mm}	B_{mm}	E_{mm}	H_{mm}	H_{1mm}	H_{2mm}	l_{mm}	L1	Pressure Rating Water	Number of Holes	Weight_g	Unit Per Bag	Unit Per Carton
165409177025	177	25	245	54	106	60	133	57	154	PN 16	6	1618	1	8
165409180025	180	25	245	54	106	60	133	57	154	PN 16	6	1812	1	8
165409180032	180	32	245	64	111	60	133	66	154	PN 16	6	1840	1	8