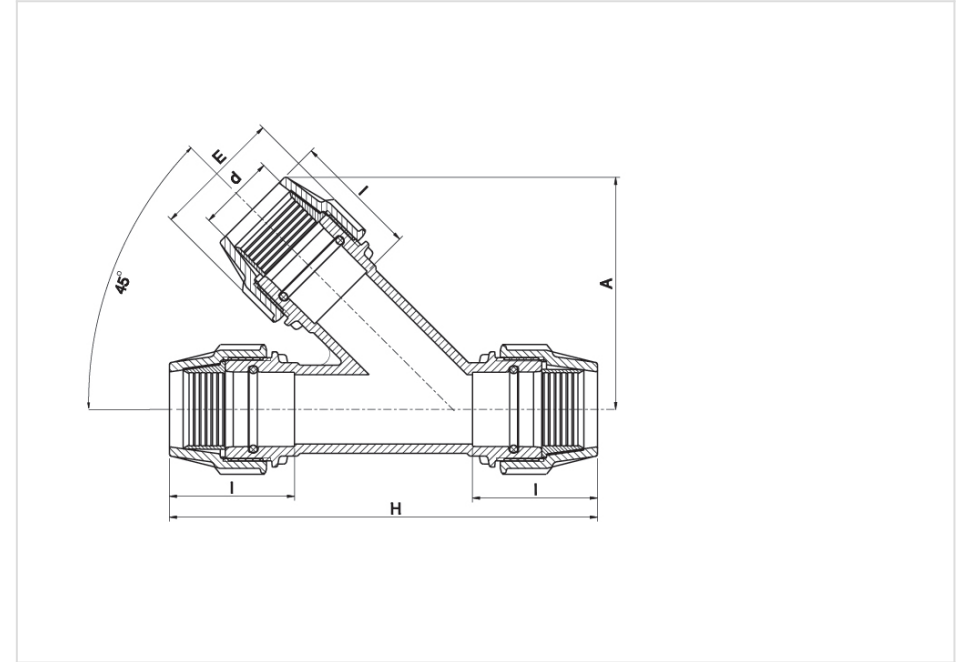


45° TEE - 0764M0

#0764M0



Body Material: Polypropylene, high-grade copolymer

Nut Material: Polypropylene, high-grade copolymer;

Split Ring Material: Polyacetal

Seal Material: NBR

Family Products

Product Code	d_{inch}	A_{inch}	E_{inch}	H_{inch}	l_{inch}	Pressure Rating Water_{inch}	Weight_{pound}	Unit Per Carton_{inch}
0764M0020	2"	8.15	4.45	14.68	4.33	230 PSI	1500	10
0764M0030	3"	9.17	5.98	20.24	6.38	230 PSI	8.15	4
0764M0040	4"	11.18	7.13	24.61	7.64	230 PSI	13	2