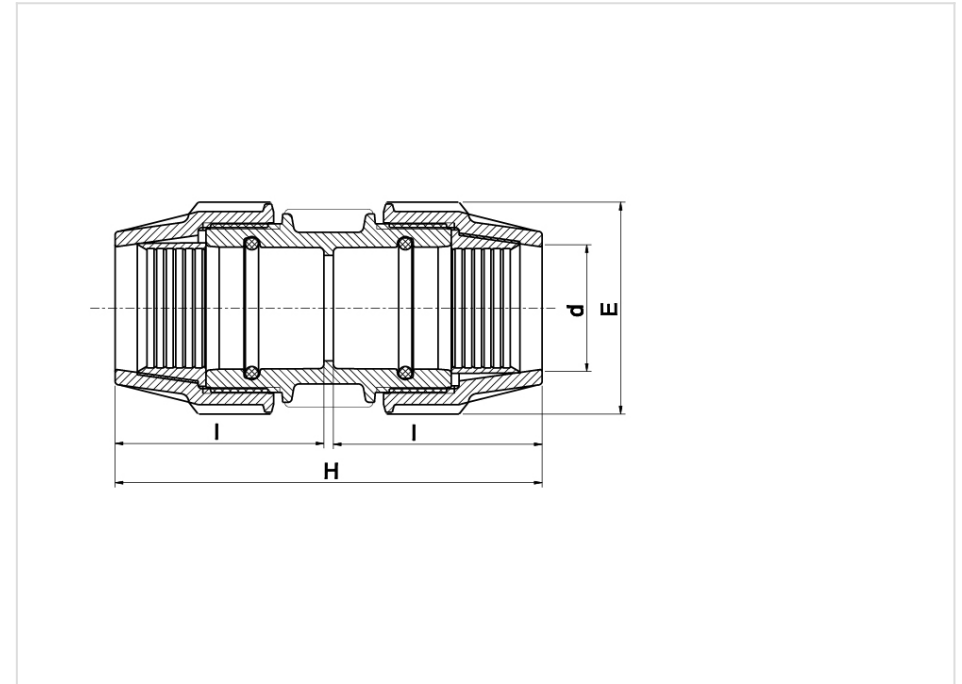


COUPLING - 0701M0

#0701M0



Body Material: Polypropylene, high-grade copolymer

Nut Material: Polypropylene, high-grade copolymer;

Split Ring Material: Polyacetal

Seal Material: NBR

Family Products

Product Code	d _{inch}	E _{inch}	H _{inch}	l _{inch}	Pressure Rating Water _{inch}	Weight _{pound}	Unit Per Bag _{inch}	Unit Per Carton _{inch}
0701M0005	0.5"	1.89	4.76	2.28	230 PSI	0.2	10	200
0701M0007	0.75"	2.13	4.92	2.36	230 PSI	0.26	10	180
0701M0010	1"	2.52	5.71	2.76	230 PSI	0.42	5	100
0701M0013	1.25"	3.23	6.97	3.39	230 PSI	0.72	-	75
0701M0015	1.5"	3.78	7.91	3.86	230 PSI	1.05	-	45
0701M0020	2"	4.45	9.06	4.41	230 PSI	1.6	-	30
0701M0030	3"	5.98	13.35	6.3	200 PSI	4.32	-	10
0701M0040	4"	7.12	15.74	7.68	200 PSI	6.34	-	5