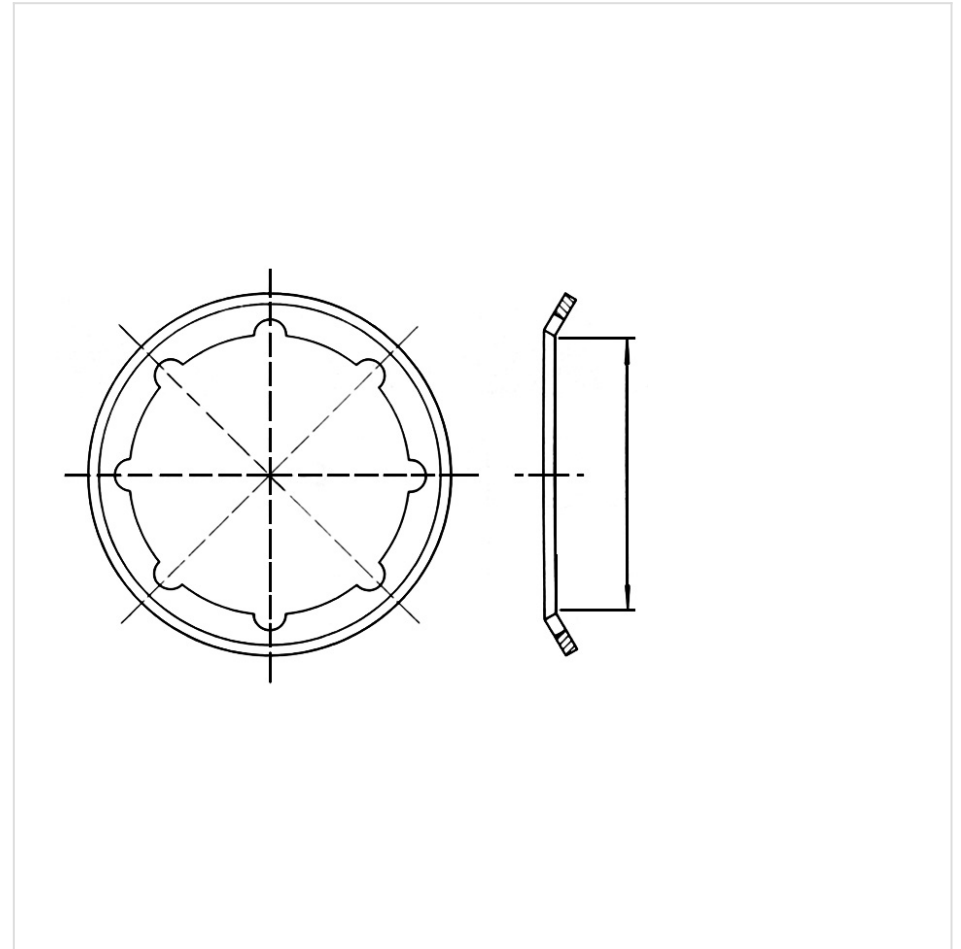


GRIP RING FOR UPVC AND PP PIPE - 0797M

#0797M



Body Material: Polypropylene, high-grade copolymer

Nut Material: Polypropylene, high-grade copolymer;

Split Ring Material: Stainless Steel

Family Products

Product Code	d_{inch}	Weight_{pound}	Unit Per Bag_{inch}	Unit Per Carton_{inch}
0797M020P	2"	0.07	50	850