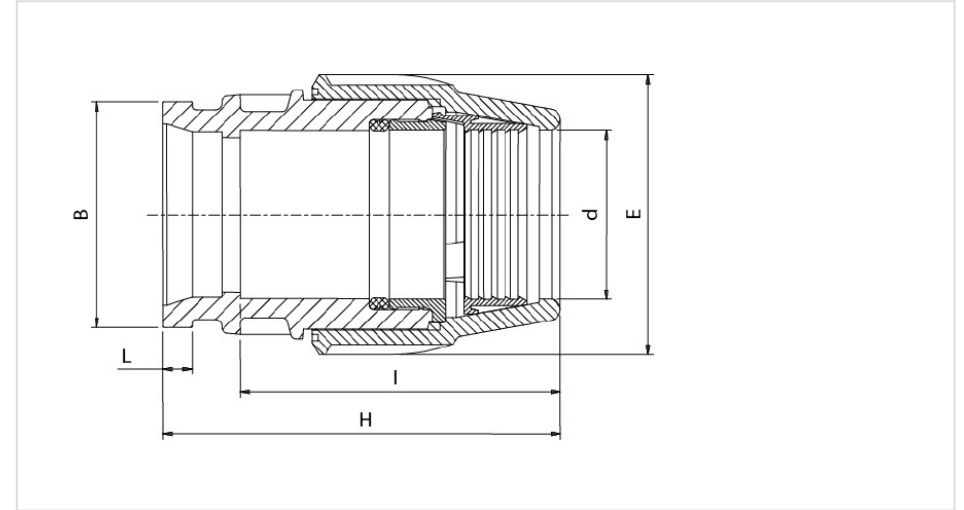


SHOULDERED ADAPTOR - 873200

#873200



Body Material: Polypropylene, high-grade copolymer.

Nut Material: Polypropylene, high-grade copolymer.;

Split Ring Material: Polyacetal

Seal Material: EPDM

Family Products

Product Code	dmm	DNmm	Bmm	Emm	Hmm	Imm	Pressure Rating Water	Weightg	Unit Per Carton
873200090040	90	100 / 4"	123	152	230	169	PN 16	1249	14
873200110040	110	100 / 4"	123	181	257	215	PN 16	1968	8