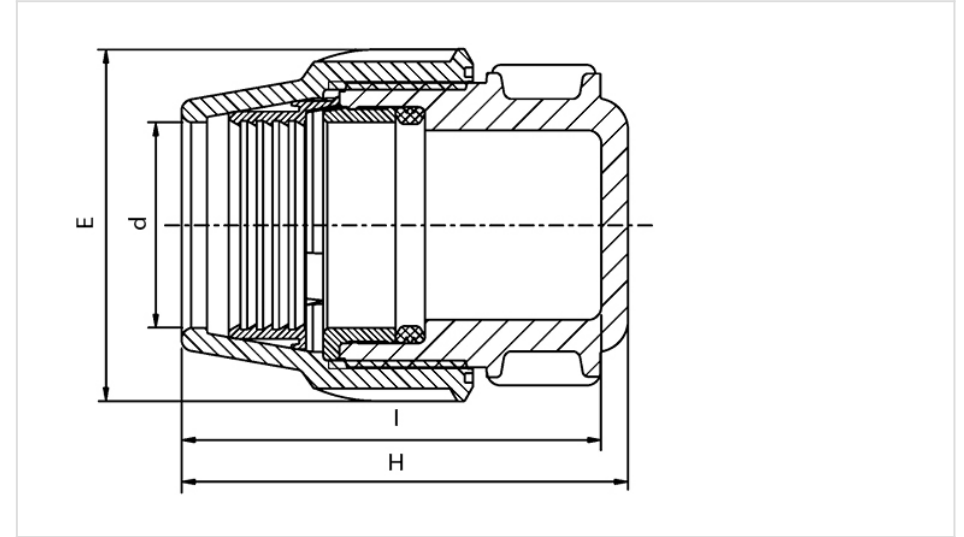


# END PLUG - 871200

#871200



**Body Material:** Polypropylene, high-grade copolymer.

**Nut Material:** Polypropylene, high-grade copolymer.;

**Split Ring Material:** Polyacetal

**Seal Material:** EPDM

## Family Products

<b>Product Code</b>	<b>dmm</b>	<b>Emm</b>	<b>Hmm</b>	<b>Imm</b>	<b>Pressure Rating Water</b>	<b>Weightg</b>	<b>Unit Per Carton</b>
871200075	75	132	177	161	PN 16	740	28
871200090	90	152	211	169	PN 16	1082	16
871200110	110	181	234	221	PN 16	1924	10