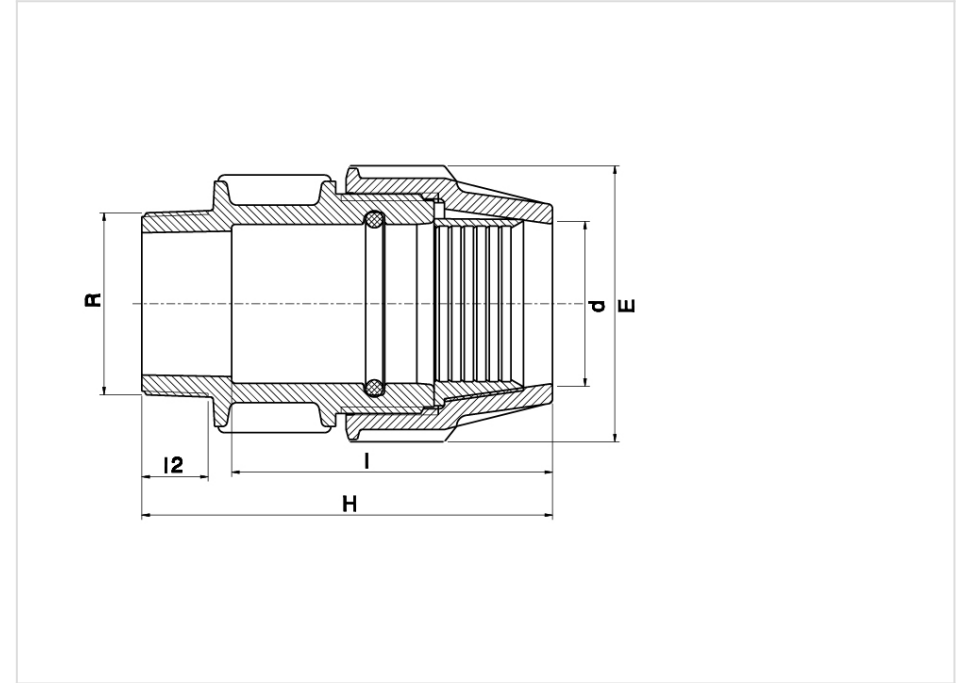


# MALE ADAPTOR - 070200

#070200



**Body Material:** Polypropylene, high-grade copolymer.

**Nut Material:** Polypropylene, high-grade copolymer.;

**Split Ring Material:** Polyacetal

**Seal Material:** NBR

## Family Products

Product Code	dmm	Rinch	Emm	Hmm	I	Pressure Rating Water	Weight <sub>g</sub>	Unit Per Bag	Unit Per Carton
070206016005	16	1/2"	39	79	59	PN 16	34	10	500
070206016007	16	3/4"	39	79	59	PN 16	35	10	500
070200020005	20	1/2"	48	92	71	PN 16	58	10	350
070200020007	20	3/4"	48	92	71	PN 16	59	10	350
070200020010	20	1"	48	86	52	PN 16	60	10	350
070200025005	25	1/2"	54	94	72	PN 16	68	10	250
070200025007	25	3/4"	54	95	72	PN 16	73	10	250
070200025010	25	1"	54	97	72	PN 16	79	10	250
070200032007	32	3/4"	64	106	83	PN 16	113	5	150
070200032010	32	1"	64	107	83	PN 16	122	5	150
070200032013	32	1 1/4"	64	110	83	PN 16	114	5	150
070200032015	32	1 1/2"	64	110	83	PN 16	127	5	140
070200040010	40	1"	82	118	91	PN 16	184	-	110

Product Code	dmm	Rinch	Emm	Hmm	I	Pressure Rating Water	Weight <sub>g</sub>	Unit Per Bag	Unit Per Carton
070200040013	40	1 1/4"	82	117	90	PN 16	185	-	110
070200040015	40	1 1/2"	82	117	90	PN 16	185	-	100
070200040020	40	2"	82	123	91	PN 16	208	-	100
070200050010	50	1"	96	133	106	PN 16	266	-	70
070200050013	50	1 1/4"	96	136	106	PN 16	266	-	70
070200050015	50	1 1/2"	96	136	109	PN 16	277	-	70
070200050020	50	2"	96	140	109	PN 16	284	-	65
070200063013	63	1 1/4"	113	154	123	PN 16	443	-	48
070200063015	63	1 1/2"	113	154	123	PN 16	451	-	48
070200063020	63	2"	113	167	123	PN 16	461	-	48
070200063025	63	2 1/2"	113	160	123	PN 16	459	-	45