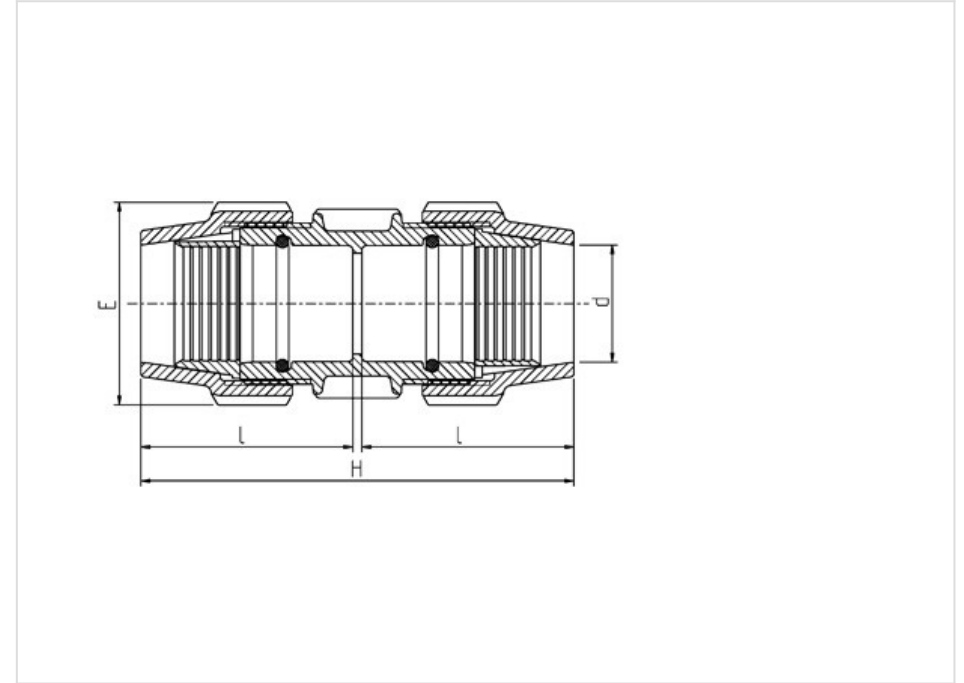


NG X HG COUPLER - 0701Y

#0701Y



Body Material: Polypropylene, high-grade copolymer.

Nut Material: Polypropylene, high-grade copolymer.;

Split Ring Material: Polyacetal

Seal Material: NBR

Family Products

Product Code	dmm	d1mm	Emm	Hmm	l	Weightg	Unit Per Bag	Unit Per Carton
0701Y0005005	1/2"	1/2"	48	122	59	94	10	200