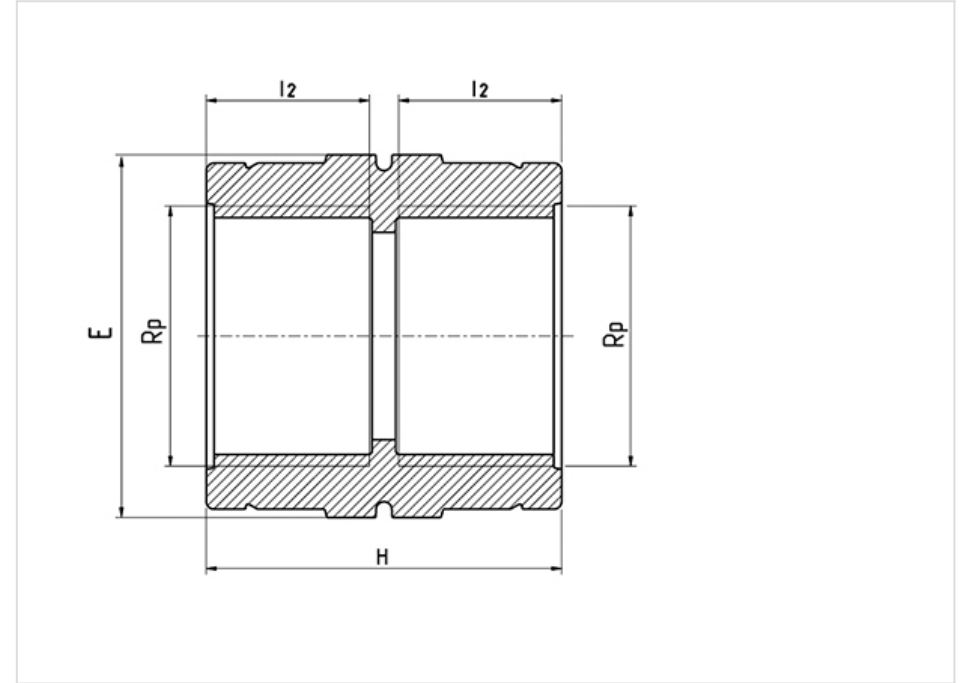


THREADED SOCKET WITH REINFORCED RING - 050117

#050117



Body Material: Polypropylene, high-grade copolymer.

Family Products

Product Code	R _{pinch}	E _{mm}	H _{mm}	I ₂	Pressure Rating Water	Weight _g	Unit Per Bag	Unit Per Carton
050117013	1 1/4"	60	54	25	PN 16	89	10	250
050117015	1 1/2"	65	54	25	PN 16	107	10	240
050117020	2"	75	65	30	PN 16	127	5	150