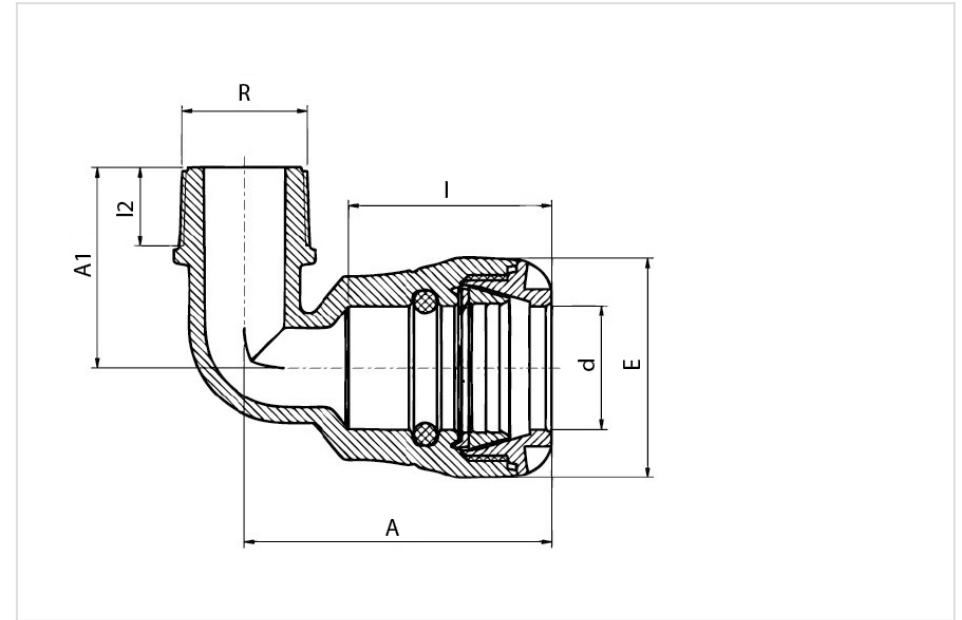


90° ELBOW WITH THREADED MALE OFFTAKE - 108500

#108500



Body Material: Polypropylene, high-grade copolymer.

Nut Material: Polypropylene, high-grade copolymer.;

Split Ring Material: Polyacetal

Seal Material: NBR

Family Products

Product Code	dmm	Rinch	Amm	A1mm	Emm	Imm	I2	Pressure Rating Water	Weightg	Unit Per Bag	Unit Per Carton
108500020005	20	1/2"	66	41	41	45	16	PN 16	47	1	380
108500020007	20	3/4"	66	42	41	45	17	PN 16	52	1	380
108500025005	25	1/2"	74	44	47	48	16	PN 16	57	1	350
108500025007	25	3/4"	74	45	47	48	17	PN 16	64	1	300
108500025010	25	1"	74	47	47	48	19	PN 16	65	1	280
108500032007	32	3/4"	81	51	58	53	19	PN 16	90	1	220
108500032010	32	1"	81	53	58	53	17	PN 16	92	1	220
108500032013	32	1 1/4"	81	54	58	53	21	PN 16	114	1	180
108500032015	32	1 1/2"	81	62	58	53	22	PN 16	131	1	180
108500032020	32	2"	89	66	58	53	25	PN 16	147	1	130
108500040010	40	1"	107	57	70	71	19	PN 16	173	1	110
108500040013	40	1 1/4"	107	58	70	71	21	PN 16	189	1	100
108500040015	40	1 1/2"	107	60	70	71	21	PN 16	194	1	100

Product Code	dmm	Rinch	Amm	A1mm	Emm	Imm	I2	Pressure Rating Water	Weightg	Unit Per Bag	Unit Per Carton
108500050013	50	1 1/4"	122	68	85	79	22	PN 16	277	1	65
108500050015	50	1 1/2"	122	68	85	79	21	PN 16	290	1	65
108500063013	60	1 1/4"	143	76	103	90	22	PN 16	447	1	40
108500063015	63	1 1/2"	143	78	103	90	21	PN 16	458	1	40
108500063020	63	2"	143	81	103	90	25	PN 16	492	1	40