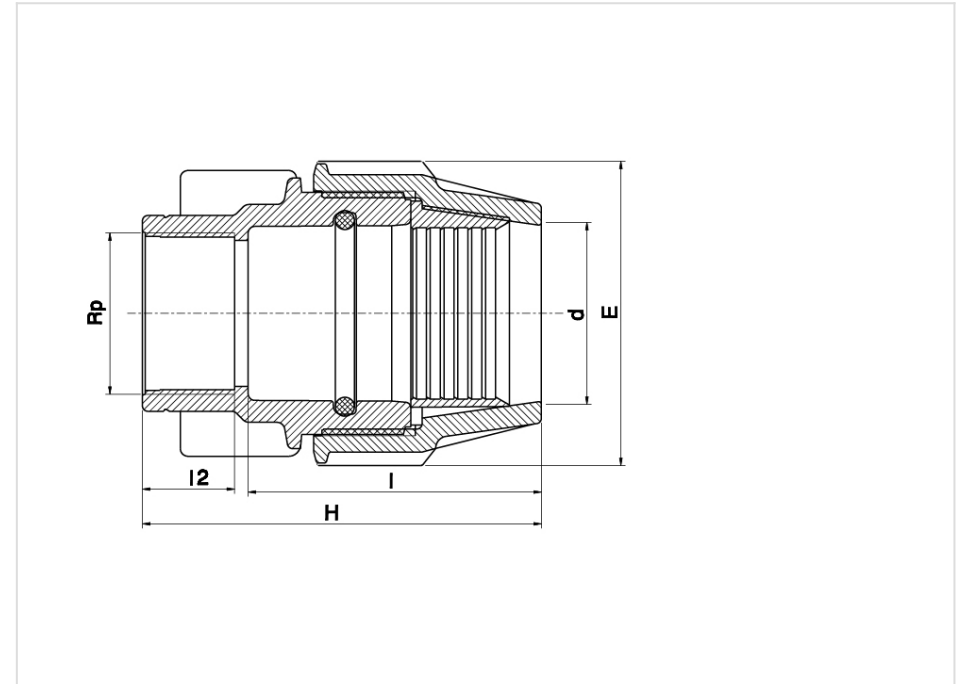


# FEMALE ADAPTOR - 070300

#070300



**Body Material:** Polypropylene, high-grade copolymer.

**Nut Material:** Polypropylene, high-grade copolymer.;

**Split Ring Material:** Polyacetal

**Seal Material:** NBR

## Family Products

Product Code	dmm	Rpinch	Emm	Hmm	I	I2	Pressure Rating Water	Weight <sub>g</sub>	Unit Per Bag	Unit Per Carton
070306016005	16	1/2"	39	73	52	19	PN 16	36	10	500
070306016007	16	3/4"	39	75	53	19	PN 16	36	10	500
070300020005	20	1/2"	48	82	60	19	PN 16	60	10	350
070300020007	20	3/4"	48	82	60	19	PN 16	58	10	350
070300020010	20	1"	48	92	57	21	PN 16	68	10	300
070300025007	25	3/4"	54	88	63	21	PN 16	83	10	250
070300025010	25	1"	54	88	63	21	PN 16	78	10	250
070300032007	32	3/4"	64	94	73	19	PN 16	107	5	150
070300032010	32	1"	64	94	69	21	PN 16	115	5	150
070300032013	32	1 1/4"	64	96	67	25	PN 16	140	5	140
070300040010	40	1"	82	112	84	21	PN 16	178	-	110
070300040013	40	1 1/4"	82	114	84	25	PN 16	202	-	110
070300040015	40	1 1/2"	82	114	84	25	PN 16	225	-	100

<b>Product Code</b>	<b>dmm</b>	<b>Rpinch</b>	<b>Emm</b>	<b>Hmm</b>	<b>I</b>	<b>I2</b>	<b>Pressure Rating Water</b>	<b>Weightg</b>	<b>Unit Per Bag</b>	<b>Unit Per Carton</b>
070300050013	50	1 1/4"	96	123	93	25	PN 16	276	-	75
070300050015	50	1 1/2"	96	123	93	25	PN 16	277	-	70
070300050020	50	2"	96	128	93	30	PN 16	294	-	70
070300063013	63	1 1/4"	113	139	110	25	PN 16	417	-	48
070300063015	63	1 1/2"	113	139	110	25	PN 16	438	-	48
070300063020	63	2"	113	148	110	30	PN 16	443	-	48