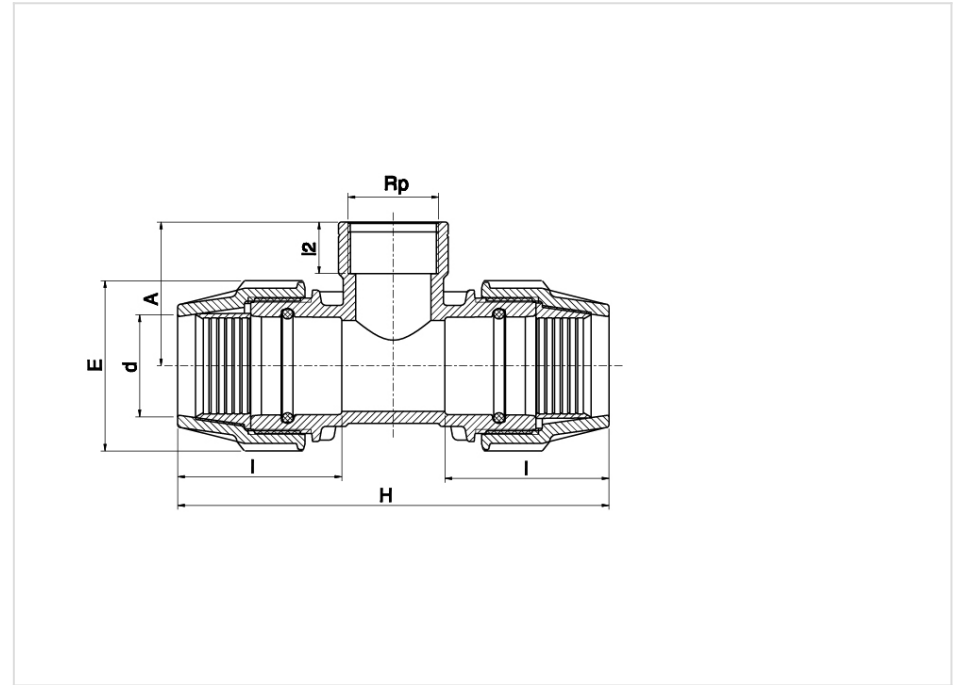


# 90° TEE WITH THREADED FEMALE OFFTAKE - 071406

#071406



**Body Material:** Polypropylene, high-grade copolymer.

**Nut Material:** Polypropylene, high-grade copolymer.;

**Split Ring Material:** Polyacetal

**Seal Material:** NBR

## Family Products

Product Code	dmm	Rpinch	Amm	Emm	Hmm	Imm	I2	Pressure Rating Water	Weightg	Unit Per Bag	Unit Per Carton
0714060160050A	16	1/2"	42	39	122	50	17	PN 16	66	10	240
0714060160070A	16	3/4"	41	39	122	50	19	PN 16	65	10	240
0714060200050A	20	1/2"	42	48	144	56	18	PN 16	104	10	180
0714060200070A	20	3/4"	45	48	144	56	19	PN 16	110	10	180
0714060250050A	25	1/2"	45	54	151	58	18	PN 16	131	5	140
0714060250070A	25	3/4"	48	54	151	58	19	PN 16	140	5	140
0714060250100A	25	1"	53	54	158	58	21	PN 16	140	5	100
0714060250130A	25	1 1/4"	64	54	158	58	25	PN 16	194	5	80
0714060320070A	32	3/4"	51	64	177	67	19	PN 16	210	5	80
0714060320100A	32	1"	54	64	177	67	21	PN 16	213	5	80
0714060320130A	32	1 1/4"	65	64	182	67	25	PN 16	253	5	60
0714060320150A	32	1 1/2"	71	64	182	67	25	PN 16	268	5	60
0714060400100A	40	1"	61	82	203	84	21	PN 16	357	-	60

Product Code	dmm	Rpinch	Amm	Emm	Hmm	Imm	I2	Pressure Rating Water	Weight <sub>g</sub>	Unit Per Bag	Unit Per Carton
0714060400130A	40	1 1/4"	70	82	217	84	24	PN 16	403	-	55
0714060400150A	40	1 1/2"	70	82	217	84	25	PN 16	413	-	50
0714060400200A	40	2"	78	82	217	84	30	PN 16	435	-	45
0714060500150A	50	1 1/2"	76	96	244	93	25	PN 16	575	-	36
0714060500200A	50	2"	80	96	244	93	30	PN 16	590	-	30
0714060630130A	63	1 1/4"	95	113	268	113	27	PN 16	886	-	20
0714060630150A	63	1 1/2"	95	113	268	113	27	PN 16	898	-	20
0714060630200A	63	2"	95	113	272	110	30	PN 16	903	-	20
0714060750200A	75	2"	110	134	359	132	30	PN 16	1456	-	10
0714060750250A	75	2 1/2"	85	134	331	129	35	PN 16	1502	-	10
0714060750300A	75	3"	110	134	359	132	36	PN 6.3	1553	-	10
0714060900300A	90	3"	116	154	419	165	40	PN 6.3	2354	-	7
0714061100400A	110	4"	140	181	511	198	50	PN 6.3	3957	-	4