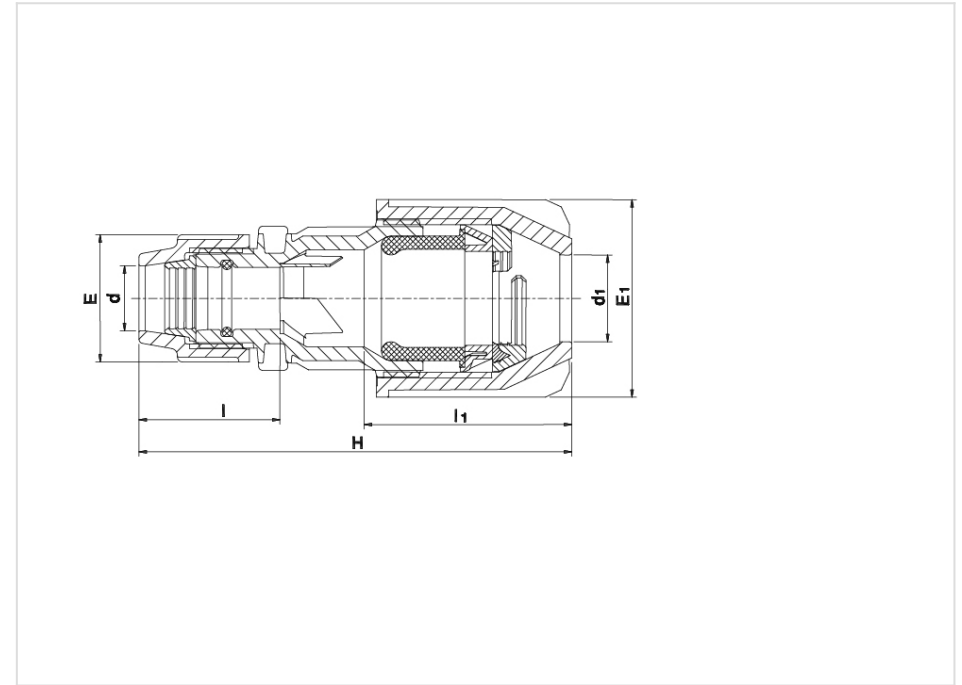


PLASS4 COUPLING (UNIVERSAL) - 070176

#070176



Body Material: Polypropylene, high-grade copolymer.

Nut Material: Polypropylene, high-grade copolymer.;

Split Ring Material: Polyacetal + Stainless Steel

Seal Material: NBR

Family Products

Product Code	d _{mm}	d _{1mm}	E _{mm}	E _{1mm}	H _{mm}	l _{mm}	l _{1mm}	Pressure Rating Water	Weight _g	Unit Per Bag	Unit Per Carton
0701760200270A	20	20 - 27	48	71	169	57	85	PN 16	206	1	80
0701760250220A	25	15 - 22	54	64	165	58	80	PN 16	183	1	90
0701760250270A	25	20 - 27	54	71	170	58	85	PN 16	216	1	80
0701760250350A	25	27 - 35	54	83	180	58	90	PN 16	281	1	60
0701760320270A	32	20 - 27	64	71	180	67	85	PN 16	240	1	70
0701760320350A	32	27 - 35	64	83	195	67	90	PN 16	312	1	60
0701760500500A	50	35 - 50	96	121	270	93	125	PN 10	901	1	20