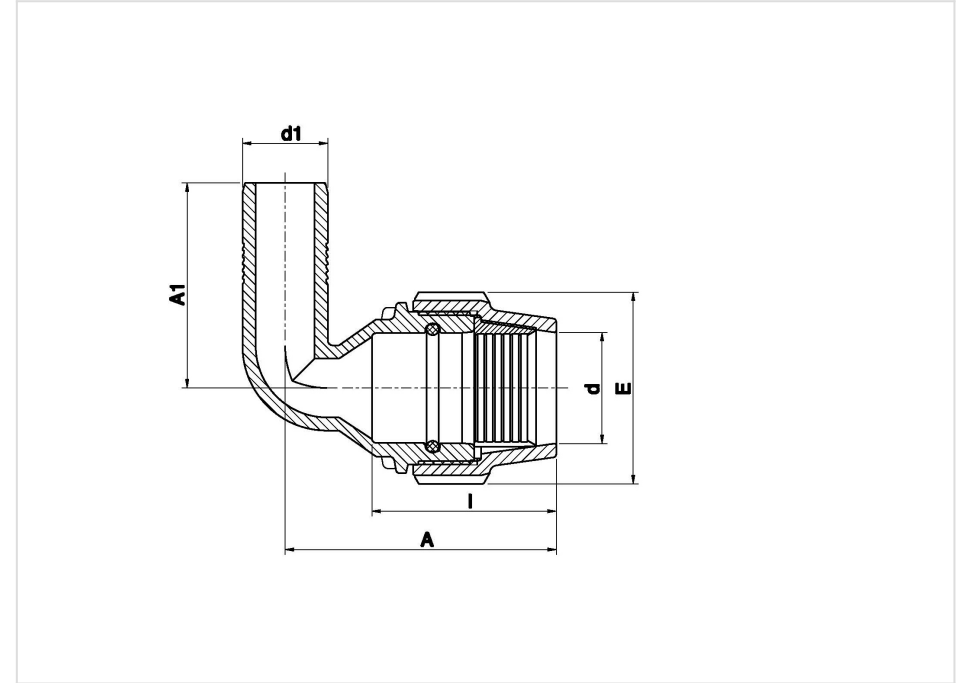


90° ELBOW ADAPTOR - 073506

#073506



Body Material: Polypropylene, high-grade copolymer.

Nut Material: Polypropylene, high-grade copolymer.;

Split Ring Material: Polyacetal

Seal Material: NBR

Family Products

Product Code	dmm	d1mm	Amm	A1mm	Emm	Imm	Pressure Rating Water	Weightg	Unit Per Carton
0735060400400A	40	40	118	106	82	84	PN 16	314	80
0735060400500A	40	50	118	120	82	84	PN 16	275	70
0735060500400A	50	40	136	106	96	93	PN 16	308	60
0735060500500A	50	50	136	120	96	93	PN 16	356	55
0735060630400A	63	40	161	106	113	110	PN 16	450	40
0735060630500A	63	50	161	120	113	110	PN 16	511	35