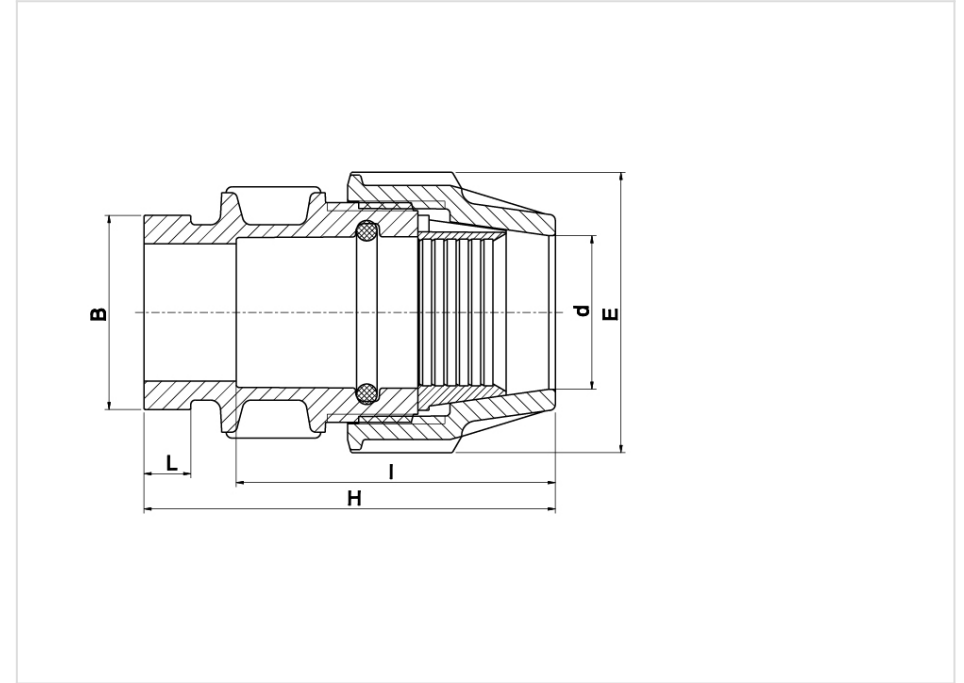


# SHOULDERED ADAPTOR - 073206

#073206



**Body Material:** Polypropylene, high-grade copolymer.

**Nut Material:** Polypropylene, high-grade copolymer.;

**Split Ring Material:** Polyacetal

**Seal Material:** NBR

## Family Products

Product Code	d <sub>mm</sub>	DN <sub>mm</sub>	B <sub>mm</sub>	E <sub>mm</sub>	H <sub>mm</sub>	I <sub>mm</sub>	L <sub>mm</sub>	Pressure Rating Water	Weight <sub>g</sub>	Unit Per Carton
0732060500200A	50	50 / 2"	67	96	138	109	16	PN 16	293	65
0732060630200A	63	50 / 2"	67	113	156	123	16	PN 16	437	45
0732060900400A	90	100 / 4"	123	154	231	170	16	PN 16	1213	16
0732061100400A	110	100 / 4"	123	181	255	213	16	PN 16	1874	8