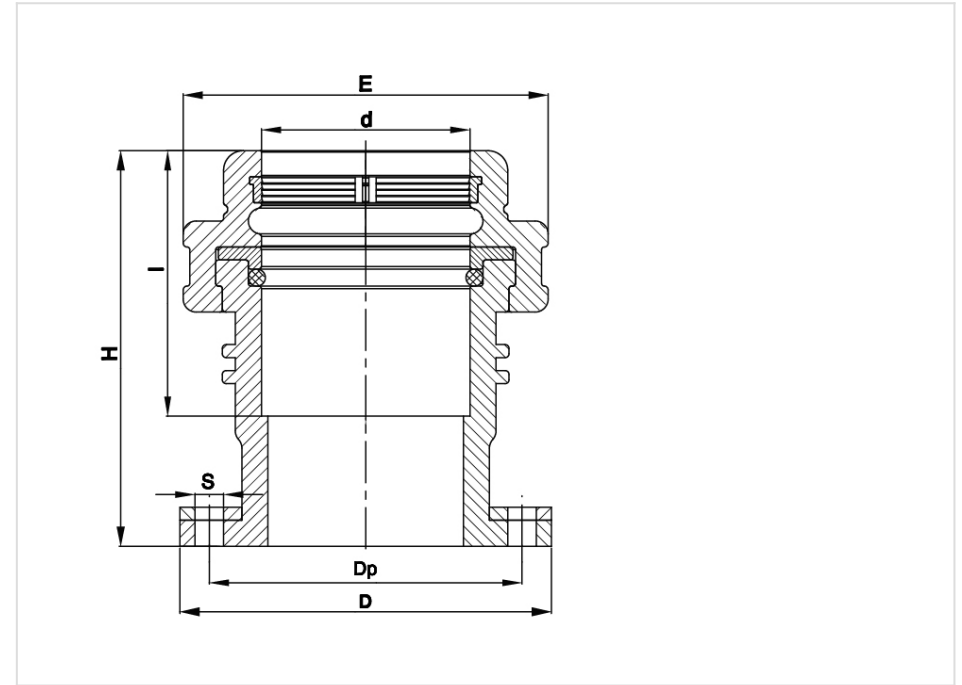


COMPRESSION FLANGE ADAPTOR WITH METAL FLANGE - 072206

#072206



Body Material: Polypropylene, high-grade copolymer.

Nut Material: Polypropylene, high-grade copolymer.;

Split Ring Material: Polyacetal

Seal Material: NBR

Family Products

Product Code	d _{mm}	DN _{mm}	D _{mm}	Dp _{mm}	E _{mm}	H _{mm}	I	S _{mm}	Pressure Rating Water	Number of Holes	Bolt Material	Weight _g	Unit Per Carton
0722061600500A	160	125 / 5"	250	210	280	304	204	18	PN 10	8	Stainless Steel	7700	3
0722061600600A	160	150 / 6"	285	240	280	304	204	22	PN 10	8	Stainless Steel	9151	3