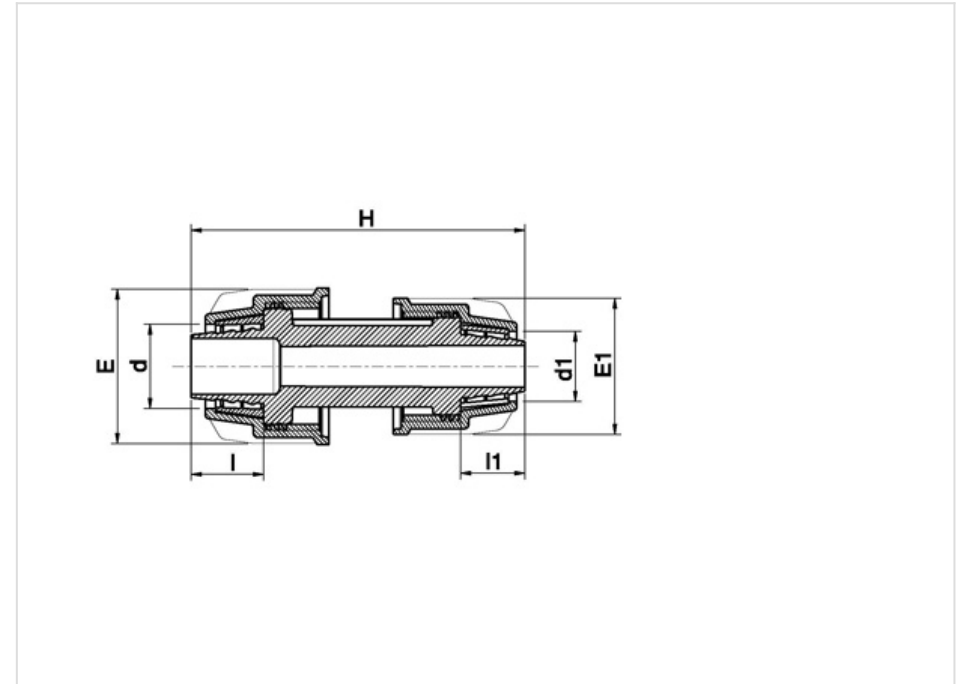


# REDUCER - 041107

#041107



**Body Material:** Polypropylene, high-grade copolymer.

**Nut Material:** Polypropylene, high-grade copolymer.;

**Split Ring Material:** Polyacetal

## Family Products

| Product Code | d <sub>mm</sub> | d <sub>1mm</sub> | E <sub>mm</sub> | E <sub>1mm</sub> | H <sub>mm</sub> | l  | l <sub>1mm</sub> | Pressure Rating Water | Weight <sub>g</sub> | Unit Per Bag | Unit Per Carton |
|--------------|-----------------|------------------|-----------------|------------------|-----------------|----|------------------|-----------------------|---------------------|--------------|-----------------|
| 041107020016 | 20              | 16               | 39              | 34               | 83              | 18 | 16               | PN 4                  | 46                  | 10           | 600             |