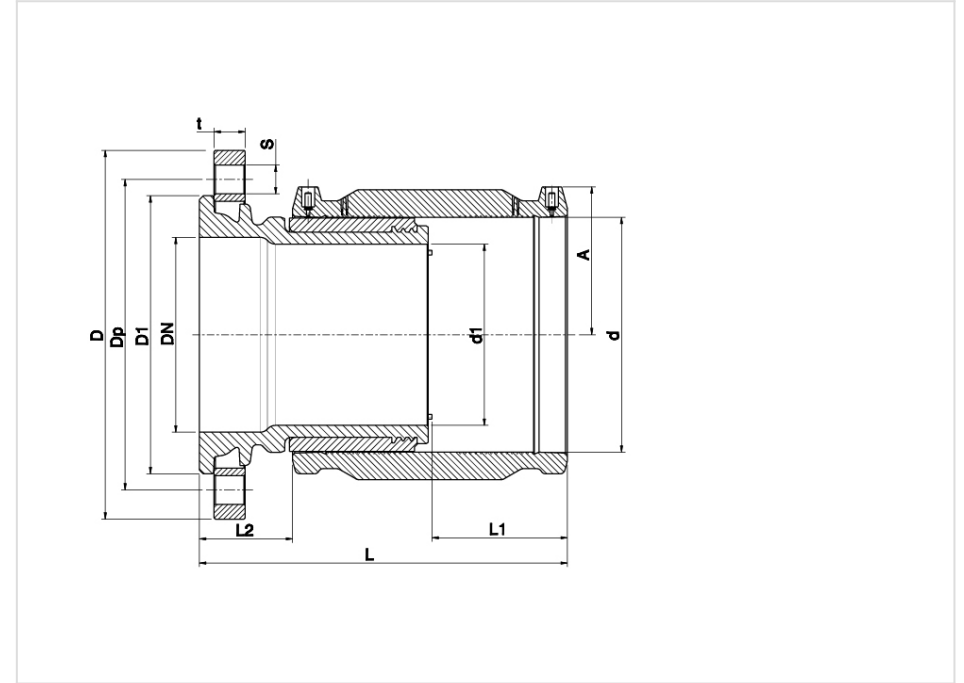


# CAST IRON FLANGE TRANSITION COUPLER - 497704

#497704



**Body Material:** PE100

## Family Products

Product Code	dmm	d1mm	DNmm	Amm	Dmm	D1mm	Dpmm	L2mm	Lmm	L1mm	Smm	tmm	Gas Pressure Rating	Pressure Rating Water	Number of Holes	Weight <sub>g</sub>	Unit Per Bag	Unit Per Carton
497704063	63	43	50	57	165	104	125	100	217	57	18	20	PE100 SDR 11	PN 16	4	4200	1	4
497704090	90	67	80	70	200	139	160	68	216	73	18	20	PE100 SDR 11	PN 16	8	5780	1	4
497704110	110	84	100	79	220	159	180	61	223	80	18	22	PE100 SDR 11	PN 16	8	7280	1	4
497704125	125	98	100	87	220	159	180	62	235	85	18	22	PE100 SDR 11	PN 16	8	7760	1	4
497704160	160	125	150	105	285	215	240	73	268	93	22	24	PE100 SDR 11	PN 16	8	13400	1	1
497704180	180	140	150	116	285	215	240	72	284	105	22	24	PE100 SDR 11	PN 16	8	15250	1	1
497704225	225	176	200	138	340	270	295	74	314	119	22	26	PE100 SDR 11	PN 16	8	23920	1	1