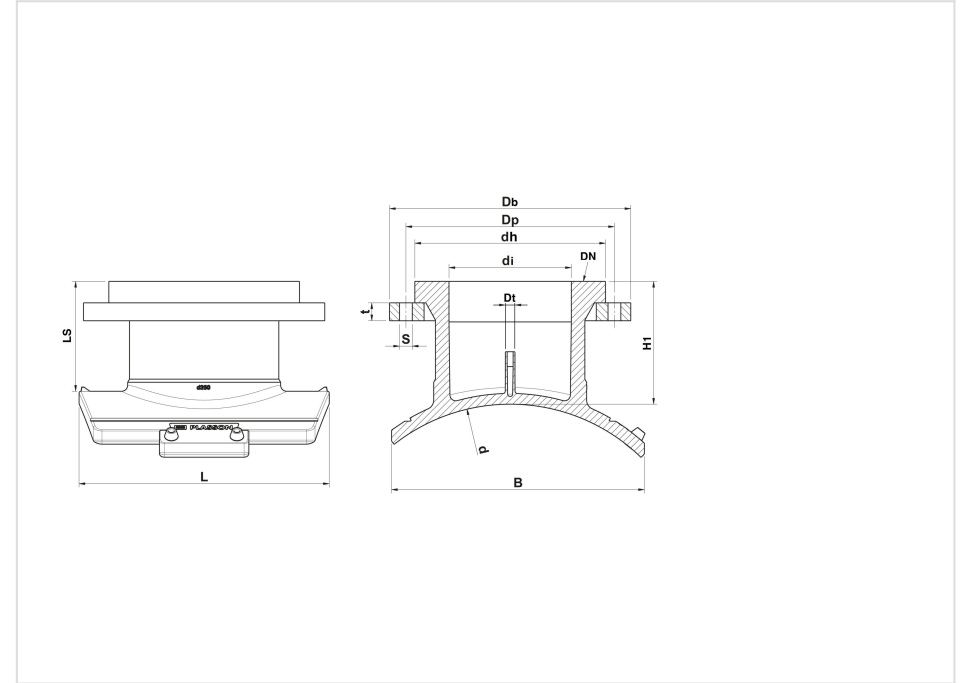


FLANGED BRANCH SADDLE - 495903

#495903



Body Material: PE100

Family Products

Product Code	d _{mm}	DN _{mm}	B _{mm}	dh	di _{mm}	Db _{mm}	Dt _{mm}	Dp _{mm}	H1 _{mm}	L _{mm}	LS _{mm}	S _{mm}	t _{mm}	Gas Pressure Rating	Pressure Rating Water	Suitable Pipes	Weight _g	Unit Per Bag	Unit Per Carton
495904400080T	280-400	80	305	138	73	200	16	160	115	300	102	18	20	PE100 SDR 11	PN 16	SDR 7 to SDR 17	-	1	1
495904400100T	280-400	100	309	158	102	220	16	180	121	300	110	18	22	PE100 SDR 11	PN 16	SDR 7 to SDR 17	-	1	1
495904400150T	280-400	150	305	212	131	285	16	240	132	300	119	22	24	PE100 SDR 11	PN 16	SDR 7 to SDR 21	-	1	1
495903355250T	315-355	250	390	320	204	410	16	355	206	420	250	26	33	PE100 SDR 11	PN 16	SDR 11 to SDR 17	19730	1	1
495903400250T	400	250	400	320	204	410	16	355	206	420	250	26	33	PE100 SDR 11	PN 16	SDR 11 to SDR 21	16300	1	1
495903450200TN	400-450	200	373	268	184	344	16	295	275	420	250	22	28	PE100 SDR 11	PN 16	SDR 11 to SDR 21	11730	1	1
495903450250T	450	250	405	320	204	410	16	355	275	470	250	26	33	PE100 SDR 11	PN 16	SDR 11 to SDR 26	-	1	1
495903450300T	450	300	450	370	257	467	16	410	275	530	250	26	40	PE100 SDR 11	PN 16	SDR 11 to SDR 26	27300	1	1
495904710080T	450-800	80	315	138	73	200	16	160	117	300	105	18	20	PE100 SDR 11	PN 16	SDR 7 to SDR 26	-	1	1
495904710100T	450-800	100	315	158	102	220	16	180	123	300	110	18	22	PE100 SDR 11	PN 16	SDR 7 to SDR 26	-	1	1
495904710150T	450-800	150	315	212	131	285	16	240	132	300	121	22	24	PE100 SDR 11	PN 16	SDR 7 to SDR 26	-	1	1
495903500300T	500	300	460	370	257	467	16	410	275	530	250	26	40	PE100 SDR 11	PN 16	SDR 11 to SDR 26	22700	1	1
495903630200TN	500-630	200	405	268	184	344	16	295	275	420	250	22	28	PE100 SDR 11	PN 16	SDR 11 to SDR 26	11900	1	1
495903630250T	500-630	250	425	320	204	410	16	355	206	420	250	26	33	PE100 SDR 11	PN 16	SDR 7 to SDR 26	15400	1	1
495903560300T	560	300	475	370	257	467	16	410	275	530	250	26	40	PE100 SDR 11	PN 16	SDR 11 to SDR 26	22750	1	1
495903560400T	560	400	510	482	327	595	16	525	280	610	250	30	54	PE100 SDR 11	PN 16	SDR 11 to SDR 26	-	1	1
495903630300T	630	300	490	370	257	467	16	410	275	530	250	26	40	PE100 SDR 11	PN 16	SDR 11 to SDR 33	27300	1	1
495903630400T	630	400	520	482	327	595	16	525	280	610	250	30	54	PE100 SDR 11	PN 16	SDR 11 to SDR 33	66000.00	1	1
495903710200T	710	200	410	268	184	344	16	295	275	470	250	22	28	PE100 SDR 11	PN 16	SDR 11 to SDR 41	-	1	1
495903710250T	710	250	430	320	204	410	16	355	275	470	250	26	33	PE100 SDR 11	PN 16	SDR 11 to SDR 41	-	1	1
495903710300T	710	300	500	370	257	467	16	410	275	530	250	26	40	PE100 SDR 11	PN 16	SDR 11 to SDR 41	34650	1	1
495903710400T	710	400	530	482	327	595	16	525	280	610	250	30	54	PE100 SDR 11	PN 16	SDR 11 to SDR 41	51,500	1	1

Product Code	d _{mm}	DN _{mm}	B _{mm}	dh	di _{mm}	Db _{mm}	Dt _{mm}	Dp _{mm}	H1 _{mm}	L _{mm}	LS _{mm}	S _{mm}	t _{mm}	Gas Pressure Rating	Pressure Rating Water	Suitable Pipes	Weight _g	Unit Per Bag	Unit Per Carton
495903800200T	800	200	410	268	184	344	16	295	275	470	250	22	28	PE100 SDR 11	PN 16	SDR 11 to SDR 41	-	1	1
495903800250T	800	250	430	320	204	410	16	355	275	470	250	26	33	PE100 SDR 11	PN 16	SDR 11 to SDR 41	-	1	1
495903800300T	800	300	510	370	257	467	16	410	275	530	250	26	40	PE100 SDR 11	PN 16	SDR 11 to SDR 41	27600	1	1
495903800400T	800	400	540	482	327	595	16	525	280	610	250	30	54	PE100 SDR 11	PN 16	SDR 11 to SDR 41	45800	1	1
495903900150T	900	150	318	212	131	285	16	240	132	300	120	22	24	PE100 SDR 11	PN 16	SDR 11 to SDR 41	6640	1	1
495903900200T	900	200	415	268	184	344	16	295	275	470	250	22	28	PE100 SDR 11	PN 16	SDR 11 to SDR 41	-	1	1
495903900250T	900	250	440	320	204	410	16	355	275	470	250	26	33	PE100 SDR 11	PN 16	SDR 11 to SDR 41	19450	1	1
495903900300T	900	300	510	370	257	467	16	410	275	530	250	26	40	PE100 SDR 11	PN 16	SDR 11 to SDR 41	-	1	1
495903900400T	900	400	550	482	327	595	16	525	280	610	250	30	54	PE100 SDR 11	PN 16	SDR 11 to SDR 41	52000	1	1
4959031000200T	1000	200	443	268	184	344	16	295	275	470	250	22	28	PE100 SDR 11	PN 16	SDR 11 to SDR 41	-	1	1
4959031000250T	1000	250	443	320	204	410	16	355	275	470	250	26	33	PE100 SDR 11	PN 16	SDR 11 to SDR 41	-	1	1
4959031000300T	1000	300	516	370	257	467	16	410	275	530	250	26	40	PE100 SDR 11	PN 16	SDR 11 to SDR 41	-	1	1
4959031000400T	1000	400	563	482	327	595	16	525	280	610	250	30	54	PE100 SDR 11	PN 16	SDR 11 to SDR 41	41000.00	1	1
4959031000100T	1000	100	320	158	101	220	16	180	120	300	102	22	24	PE100 SDR 11	PN 16	SDR 11 to SDR 41	-	1	4
4959031000150T	1000	150	320	212	131	285	16	240	131	300	113	22	24	PE100 SDR 11	PN 16	SDR 11 to SDR 41	-	1	1
4959031200200T	1200	200	447	268	184	344	16	295	275	470	250	22	28	PE100 SDR 11	PN 16	SDR 11 to SDR 41	13080.00	1	1
4959031200250T	1200	250	447	320	204	410	16	355	275	470	250	26	33	PE100 SDR 11	PN 16	SDR 11 to SDR 41	-	1	1
4959031200300T	1200	300	526	370	257	467	16	410	275	530	250	26	40	PE100 SDR 11	PN 16	SDR 11 to SDR 41	-	1	1
4959031200400T	1200	400	574	482	327	595	16	525	280	610	250	30	54	PE100 SDR 11	PN 16	SDR 11 to SDR 41	-	1	1
4959031200100T	1200	100	320	158	101	220	16	180	120	300	102	22	24	PE100 SDR 11	PN 16	SDR 11 to SDR 41	-	1	4
4959031200150T	1200	150	320	212	131	285	16	240	131	300	113	22	24	PE100 SDR 11	PN 16	SDR 11 to SDR 41	-	1	1