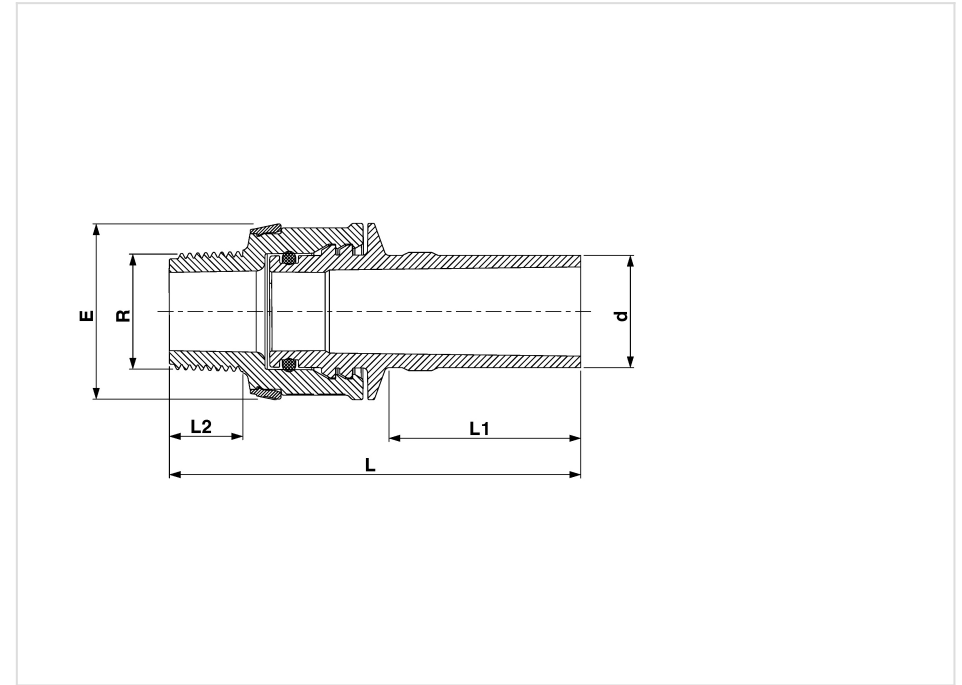


MALE SPIGOT ADAPTOR WITH GLASS REINFORCED PA THREAD - 4921N7

#4921N7



Body Material: PE100

Seal Material: EPDM

Family Products

Product Code	dmm	Rinch	Emm	L2	L	L1mm	Pressure Rating Water	Weight _g	Unit Per Bag	Unit Per Carton
4921N7020005	20	1/2"	40	17	89	42	PN 16	40	1	320
4921N7020007	20	3/4"	40	18	90	42	PN 16	50	1	320
4921N7020010	20	1"	40	20	92	42	PN 16	50	1	260
4921N7025005	25	1/2"	40	17	89	42	PN 16	40	1	320
4921N7025007	25	3/4"	40	18	90	42	PN 16	40	1	320
4921N7025010	25	1"	40	20	92	42	PN 16	60	1	260
4921N7032007	32	3/4"	56	18	110	47	PN 16	-	1	300
4921N7032010	32	1"	56	20	112	47	PN 16	110	1	240
4921N7032013	32	1 1/4"	56	22	115	47	PN 16	120	1	250
4921N7032015	32	1 1/2"	56	22	115	47	PN 16	130	1	180
4921N7032020	32	2"	61	26	120	47	PN 16	-	1	-
4921N7040007	40	3/4"	56	18	112	52	PN 16	122.00	1	200
4921N7040010	40	1"	56	20	114	52	PN 16	130	1	200

Product Code	dmm	Rinch	Emm	L2	L	L1mm	Pressure Rating Water	Weightg	Unit Per Bag	Unit Per Carton
4921N7040013	40	1 1/4"	56	22	116	52	PN 16	150	1	200
4921N7040015	40	1 1/2"	56	22	116	52	PN 16	150	1	160
4921N7040020	40	2"	61	26	122	52	PN 16	-	1	-
4921N7050013	50	1 1/4"	80	22	138	57	PN 16	300	1	110
4921N7050015	50	1 1/2"	80	22	138	57	PN 16	310	1	94
4921N7050020	50	2"	80	26	142	57	PN 16	310	1	70
4921N7063013	63	1 1/4"	80	22	144	65	PN 16	330	1	65
4921N7063015	63	1 1/2"	80	22	144	65	PN 16	335.0000	1	65
4921N7063020	63	2"	80	26	148	65	PN 16	350	1	60