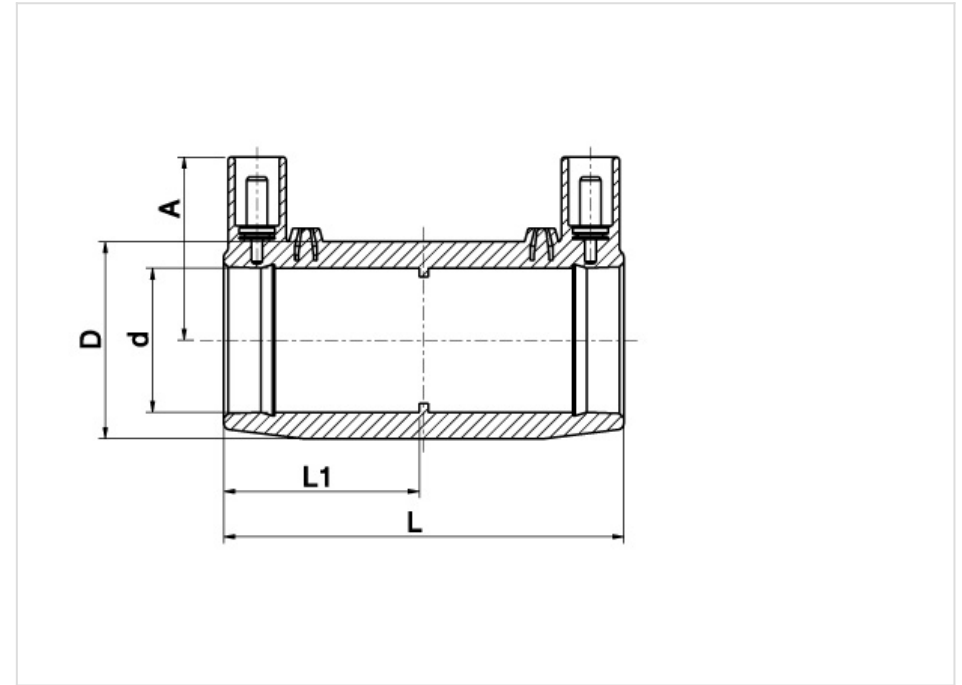


# IPS COUPLING - 5901B

#5901B



**Body Material:** PE100

## Family Products

Product Code	d <sub>inch</sub>	A <sub>inch</sub>	D <sub>inch</sub>	L <sub>inch</sub>	L1 <sub>inch</sub>	Gas Pressure Rating	Pressure Rating Water	Weight <sub>pound</sub>	Unit Per Carton
5901B004005	0.5	1.51	1.42	2.8	1.36	125 PSI	200 PSI	593.7000	480
5901B004007	0.75	1.51	1.42	2.8	1.36	125 PSI	200 PSI	0.09	480
5901B004010	1	1.66	1.77	3.15	1.54	125 PSI	200 PSI	0.145	256
5901B004013	1.25	1.85	2.17	3.54	1.71	125 PSI	200 PSI	0.2	200
5901B004015	1.5	2.09	2.68	3.94	1.91	125 PSI	200 PSI	0.36	132
5901B004020	2	2.26	3.23	4.61	2.24	125 PSI	200 PSI	0.55	72
5901B004030	3	2.72	4.65	5.87	2.87	125 PSI	200 PSI	1.32	41
5901B004040	4	3.19	5.51	6.46	3.15	125 PSI	200 PSI	1.72	23
5901B004060	6	4.28	8.15	7.99	3.94	125 PSI	200 PSI	4.48	5
5901B004080	8	5.51	11	9.41	4.65	125 PSI	200 PSI	8.33	4
5901B004100	10	6.37	13.4	10.8	5.33	125 PSI	200 PSI	16.3	1
5901B003120	12	7.36	15.3	11.2	5.51	125 PSI	200 PSI	17.6	1
5901B003140	14	7.95	16.9	11	5.51	125 PSI	200 PSI	22.9	1

Product Code	d <sub>inch</sub>	A <sub>inch</sub>	D <sub>inch</sub>	L <sub>inch</sub>	L1 <sub>inch</sub>	Gas Pressure Rating	Pressure Rating Water	Weight <sub>pound</sub>	Unit Per Carton
5901B003160	16	8.96	19	11.7	5.83	125 PSI	200 PSI	29.2	1
5901B003180	18	10	21.4	12.2	6.1	125 PSI	200 PSI	31.3	1
5901B003200	20	11.1	23.72	14.8	7.4	125 PSI	200 PSI	50.9	1
5901B003220	22	12.5	25.82	14.8	7.4	125 PSI	200 PSI	70.5	1
5901B003240	24	14	28.34	16.5	8.23	125 PSI	200 PSI	99.2	1
5901B003280	28	15.73	33.58	18.58	9.29	125 PSI	200 PSI	139	1
5901B003300	30	16.89	36.69	19.69	9.84	125 PSI	200 PSI	193.5	1