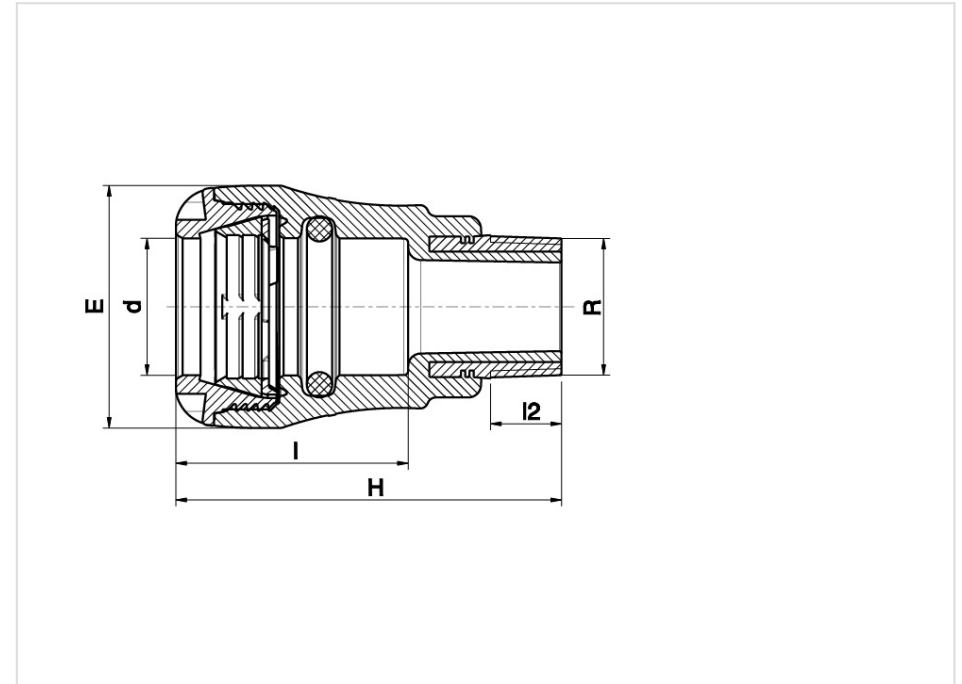


BRASS MALE ADAPTOR - 107200

#107200



Body Material: Polypropylene, high-grade copolymer.

Nut Material: Polypropylene, high-grade copolymer.;

Split Ring Material: Polyacetal

Seal Material: NBR

Family Products

Product Code	dmm	Rinch	Emm	Hmm	I	I2	Pressure Rating Water	Weightg	Unit Per Bag	Unit Per Carton
107200020005	20	1/2"	41	76	45	13	PN 16	72	1	360
107200020007	20	3/4"	41	77	45	15	PN 16	82	1	320
107200025005	25	1/2"	47	79	48	13	PN 16	82	1	320
107200025007	25	3/4"	47	80	48	15	PN 16	92	1	280
107200025010	25	1"	47	85	48	17	PN 16	126	1	200
107200032007	32	3/4"	58	88	55	15	PN 16	120	1	220
107200032010	32	1"	58	92	55	17	PN 16	153	1	170
107200032013	32	1 1/4"	58	100	55	19	PN 16	200	1	130
107200032015	32	1 1/2"	58	101	55	19	PN 16	239	1	110
107200040010	40	1"	70	110	73	17	PN 16	216	1	130
107200040013	40	1 1/4"	70	113	73	19	PN 16	260	1	110
107200040015	40	1 1/2"	70	113	73	19	PN 16	290	1	80
107200050010	50	1"	85	127	81	17	PN 16	301	1	90

Product Code	dmm	Rinch	Emm	Hmm	I	I2	Pressure Rating Water	Weight_g	Unit Per Bag	Unit Per Carton
107200050013	50	1 1/4"	85	127	81	19	PN 16	340	1	80
107200050015	50	1 1/2"	85	120	81	19	PN 16	366	1	75
107200050020	50	2"	85	127	81	23	PN 16	449	1	60
107200063015	63	1 1/2"	103	132	92	19	PN 16	500	1	50
107200063020	63	2"	103	139	92	23	PN 16	580	1	42