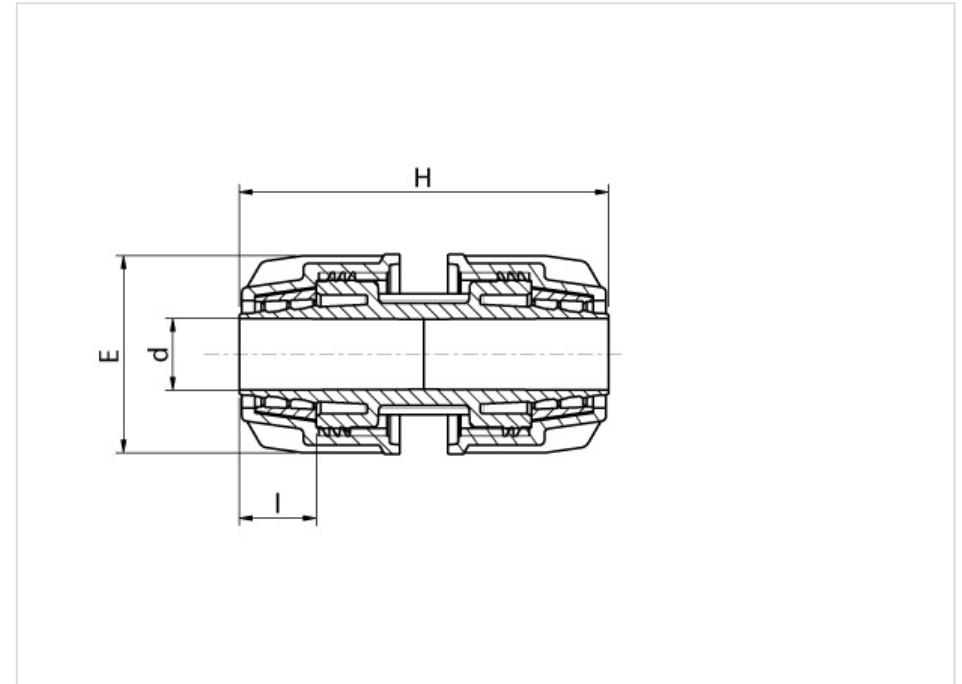


COUPLING - 040107

#040107



Body Material: Polypropylene, high-grade copolymer.

Nut Material: Polypropylene, high-grade copolymer.;

Split Ring Material: Polyacetal

Family Products

Product Code	dmm	Emm	Hmm	I	Pressure Rating Water	Weight _g	Unit Per Bag	Unit Per Carton
040107016	16	34	72	25	PN 4	23	10	680
040107020	20	39	72	25	PN 4	32	10	560
040107025	25	45	85	31	PN 4	55	10	320
040107032	32	57	110	38	PN 4	187	5	160